

**CLASSROOM**

**MANF. WITH TREATED LUMBER**

**ROOF TRUSS LOADING CONDITIONS**

TOP CHORD LIVE:	.30
TOP CHORD DEAD:	.16
BOTTOM CHORD LIVE:	.0
BOTTOM CHORD DEAD:	.10
STRESS INCREASE:	1.33
ASCE:	7-05
MEAN HGT:	15'-0"

**WIND LOAD CRITERIA**

DIR. FROM OCEANLINE:	N/A
EXPOSURE CATEGORY:	C
BLOG. CATEGORY:	1
WIND SPEED:	146 M.P.H.
WALL HEIGHT:	AS SHOWN
DEAD LOAD:	10 P.S.F.
BLOG. TYPE:	ENCLOSED & PARTIALLY ENCLOSED
WIND DURATION:	1.33

**NOTES:**

- FOR HANGER CONNECTION REFER TO HANGER DETAIL SHEETS ATTACHED, IF APPLICABLE.
- FOR BRACING ON WEBS AND COMPRESSION REFER TO ENGINEERING SHEETS.
- FOR HANGER SHOWN ON ROOF LAYOUT, REFER TO HANGER DETAIL SHEETS ATTACHED IN ENGINEERING PACKAGE.
- FIELD BRACING IS NOT THE RESPONSIBILITY OF THE TRUSS FABRICATOR. PERSON ERECTING TRUSSES ARE CAUTIONED TO SEEK PROFESSIONAL ADVICE REGARDING ERECTION BRACING WHICH IS ALWAYS REQUIRED TO PREVENT TOPPLING AND DOMING DURING ERECTION, AND PERMANENT BRACING WHICH MAY BE REQUIRED IN SPECIFIC APPLICATIONS. TRUSSES SHALL BE ERECTED AND FASTENED IN A STRAIGHT AND PLUMB POSITION. TRUSSES SHALL BE HANDLED WITH REASONABLE CARE DURING ERECTION TO PREVENT DAMAGE. CONTRACTOR OR OWNER MUST SCAD ANY TRUSSES AS REQUIRED AND SPECIFIED ON ENGINEERING SHEETS.
- CONTRACTOR OR OWNER IS ADVISED TO SEEK PROFESSIONAL ADVICE BEFORE APPROVING THIS LAYOUT.
- DO NOT CUT OR ALTER TRUSSES. DECO WILL NOT HONOR BACK CHARGES UNLESS AUTHORIZED BY THIS OFFICE.
- TRUSSES MAY NOT BE SYMMETRICAL. ALWAYS REFER TO ENG. SHEETS WHEN ERECTING TRUSSES!

**PRELIMINARY PLAN**

VERIFY ALL DIMENSIONS, LOCATION OF TRUSSES, WALL HEIGHTS, PITCH, WIND LOADS, OVERHANGS, ETC...

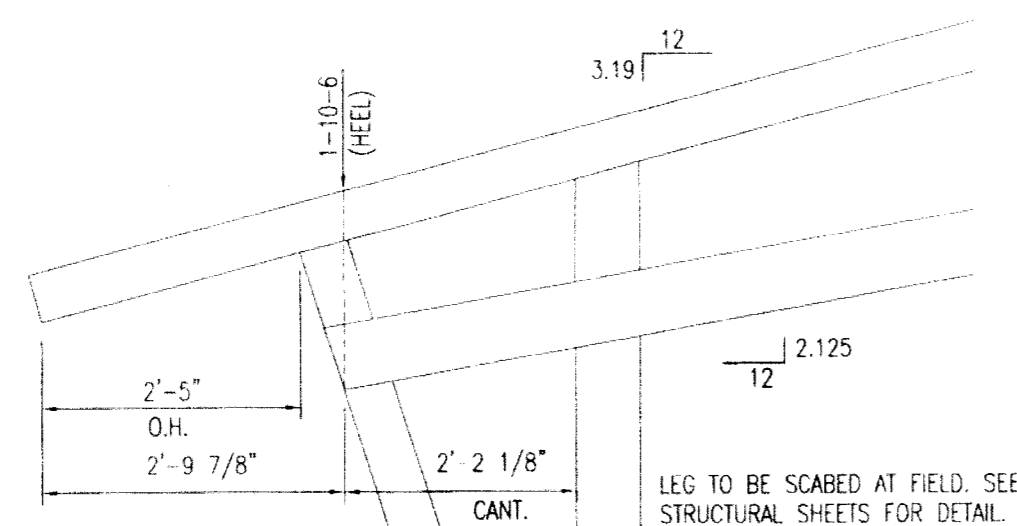
Date: \_\_\_\_\_  
Signature: \_\_\_\_\_

**NOTE:**

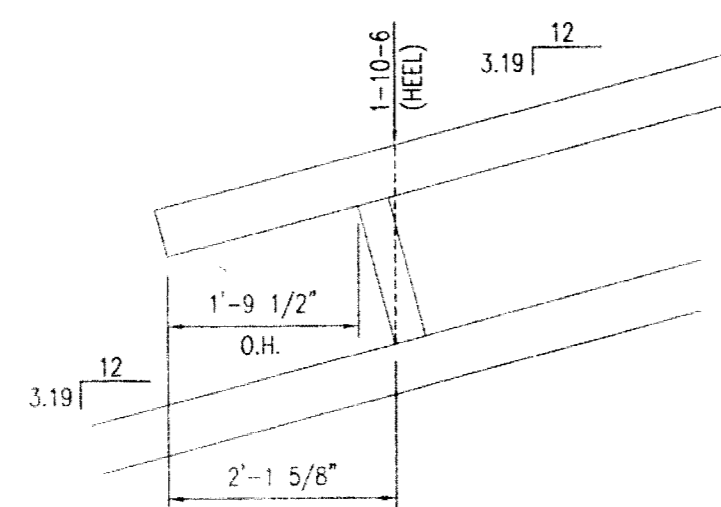
RETURN APPROVED PLAN, TO DECO TRUSS INDICATING ANY/ALL CHANGES. FINAL PLANS AND ENGINEERING WILL NOT START UNTIL PRELIMINARY PLANS HAVE BEEN RECEIVED.

**REVISIONS:**

REV. NUMBER	REV. DATE

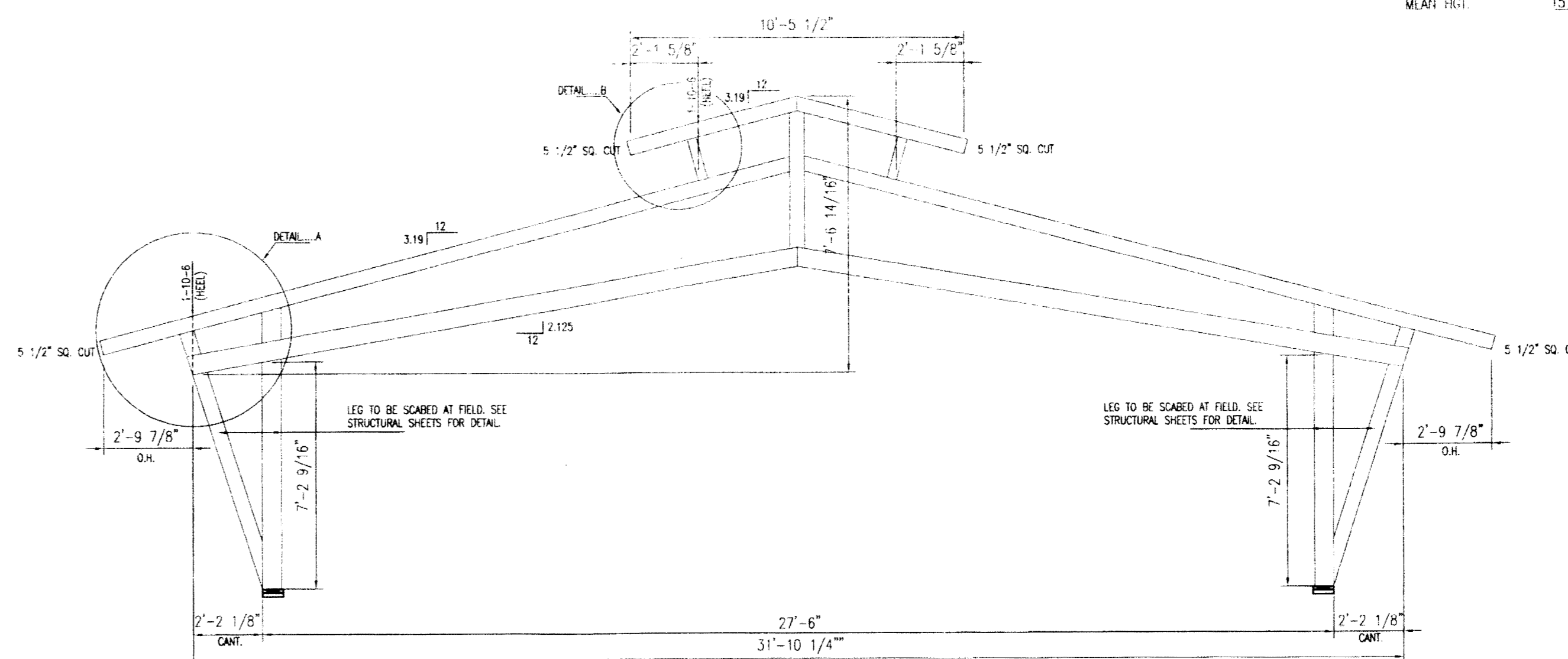


DETAIL A N.T.S.

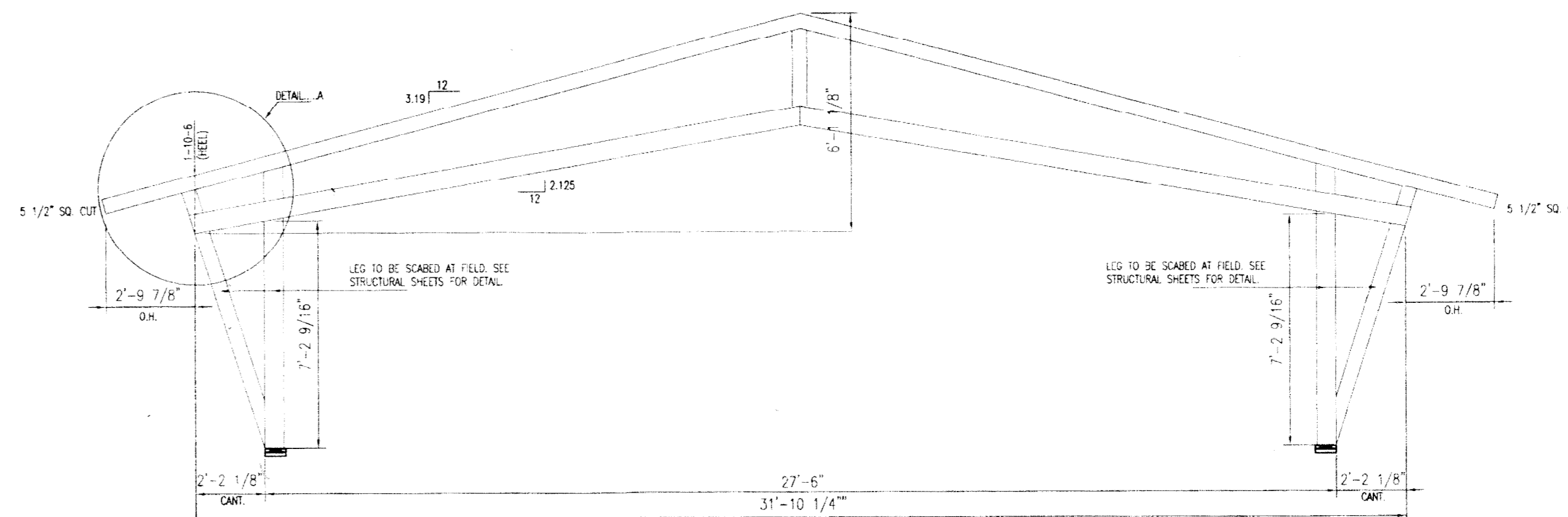


DETAIL B N.T.S.

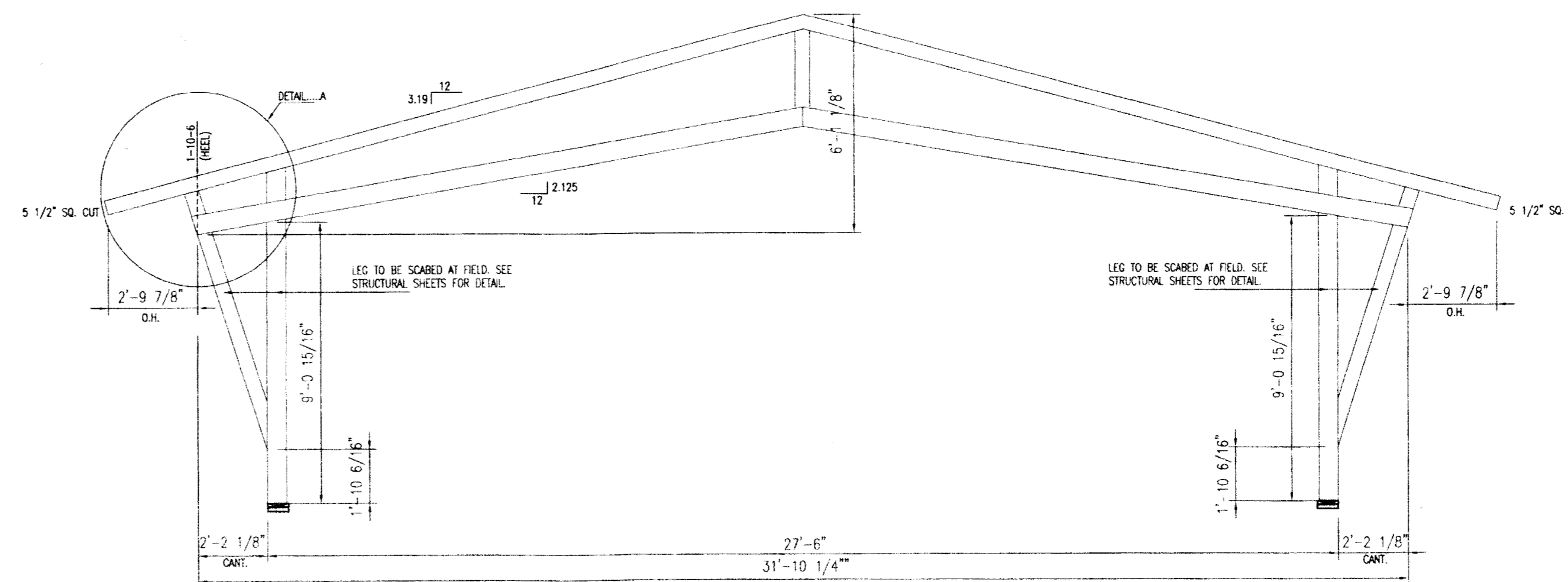
**NOT FOR FABRICATION**



SECTION AA N.T.S. TRUSS A1 & A2



SECTION BB N.T.S. TRUSS A3



SECTION CC N.T.S. TRUSS A4

TRUSS PLACEMENT PLAN SCALE: 3/16"=1'-0"	ALL SPACING 24" O.C. UNLESS OTHERWISE NOTED.	<p><b>APPROVED AS NOTED:</b></p> <p>1. HURRICANE STRAP, WALLS, AND FOUNDATIONS MUST BE CAPABLE OF WITHSTANDING UPLIFT AS SHOWN ON ENG. DRAWINGS &amp; F.B.C.</p> <p>2. ADDITIONAL STRAPS OR OTHER CONNECTIONS ARE HELD IN ADDITION TO STANDARD CONNECTION.</p> <p>3. ANY REPAIRS AT THE FIELD MUST BE APPROVED BY A REGISTERED ENGINEER.</p> <p>4. JOB SITE FINISHING MUST BE APPROVED BY OTHERS.</p> <p>5. LEDGER DESIGN AND CONNECTION MUST BE APPROVED BY OTHERS.</p> <p>6. ERECTION SUPERVISION IS REQUIRED.</p> <p>7. EXISTING TRUSSES MUST BE CAPABLE OF WITHSTANDING ADDITIONAL LOAD DUE TO THE NEW TRUSSES.</p> <p>8. LOADING ON ORDER TRUSSES MUST BE CHECKED AND VERIFIED BY ARCHITECT OR ENGINEER OF RECORD.</p>
FOR DRYWALL CONSTRUCTION WITHOUT STRIPPING, CONTRACTOR TO PROVIDE 2x4 CONTINUOUS LATERAL BRACING AS PER ENGINEERING SHEETS.	REFER TO ARCHITECT OR ENGINEER FOR COMPLETE TIE DOWN PROVISIONS FOR THE BEAM, WALL AND FOUNDATION CONDITIONS.	TRUSSES MUST BE NOT BEAR ON ANY INTERIOR WALL OR PARTITION UNLESS DESIGNED FOR.

MAHMOUD ZOLFAGHARI, P.E.  
# 36921  
13901 S.W. 108 AVE.  
MIAMI, FLORIDA  
(305)253-2428

**DECO TRUSS COMPANY, INC.**  
Trusses & Building Materials  
13980 S.W. 252nd Street - Miami, FL 33032  
Phone: (305)-257-1910  
Web: www.decotruss.com

HAND IN HAND (CLASSROOM)  
EXPORT: HAITI

CC#: 10-0922.05	NAME: MARIO ESPINEIRA
PLAN No. 7343	DRAWN BY: JC. DATE: 04/21/11