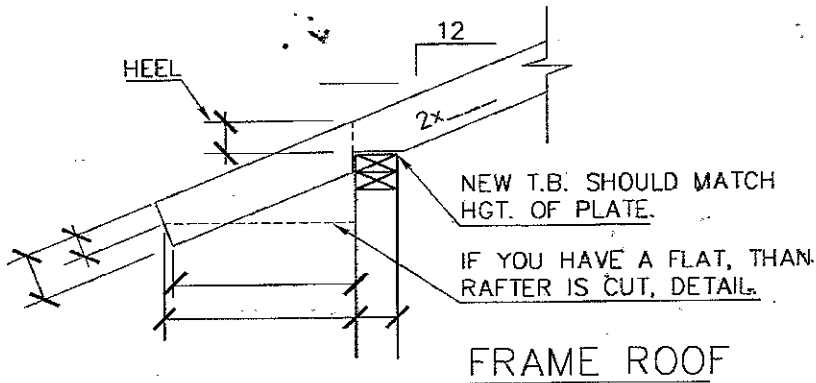
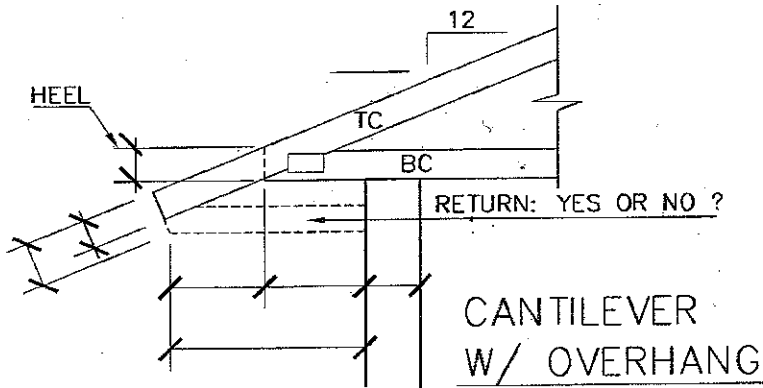
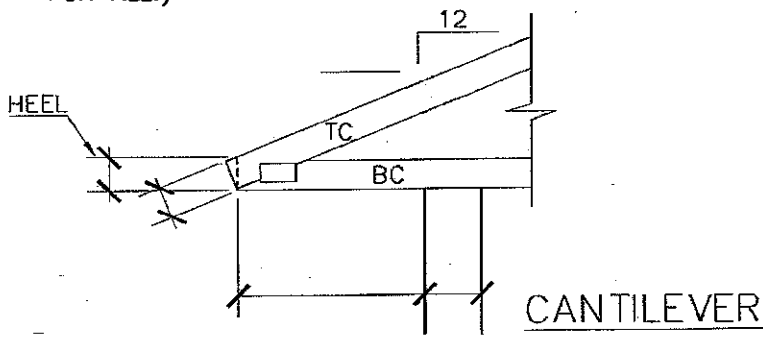
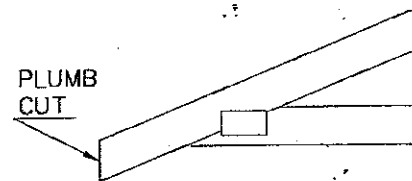
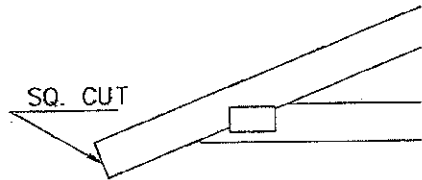
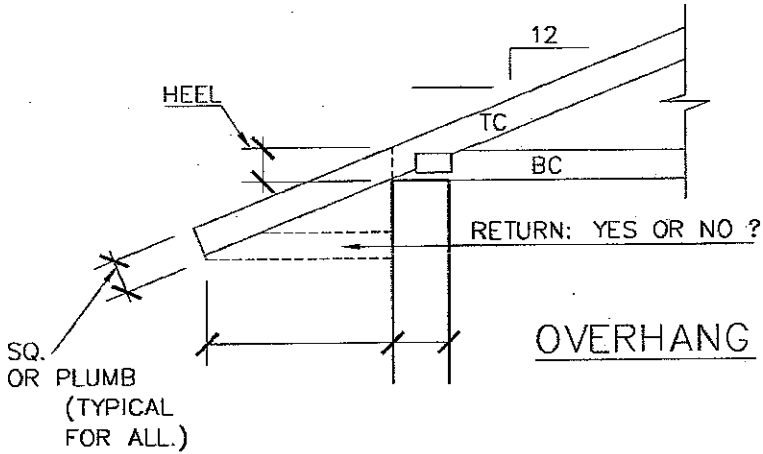


JOB NAME: \_\_\_\_\_

CONTRACTOR: \_\_\_\_\_



\*HEEL= THE VERTICAL MEASUREMENT @ THE POINT THAT THE T.C. & B.C. 1st. MEET.

NOTES:

THESE ARE THE 4 TYPICAL END CONDITIONS. PLEASE PROVIDE YOUR EXISTING MEASUREMENTS FROM THE ONE THAT YOU HAVE ON SITE. NOTE THERE CAN BE VARIATIONS. FAX BACK TO DECO @ 305.257.1911

JOB NAME: \_\_\_\_\_

CONTRACTOR: \_\_\_\_\_

DÉCO TRUSS COMPANY  
13980 S.W. 252 ST.  
PRINCETON, FL. 33032

VERIFY EXISTING & FAX BACK 305.257.1911

